

HOUSE OF THOL
we make things

Thomas Linssen
& Jana Flohr

www.houseofthol.nl
www.shophouseofthol.nl
home@houseofthol.nl



EVOLUTION

luxurious ergonomic bathtub

€ 11.000,- ex vat | MADE TO ORDER

MATERIALS American white oak, marble composite
SIZE 188 x 87 x 84 cm (rim at 59 cm)
CAPACITY ca 260 liters / 95 gallons



The bathroom is ever increasingly becoming part of our daily living environment. It's a space we enjoy our spending time in, and that deserves to be cherished.

This idea motivated the design of the bathtub 'Evolution', a combination of contemporary materials and artisanal craftsmanship.

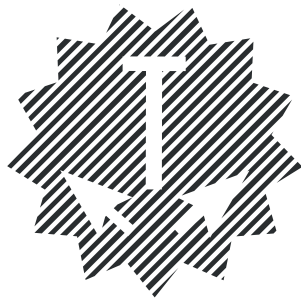
"For this project I took the frame of a chair, designed with comfort and posture in mind, and let it evolve into a bathtub. The base of the bath is defined by its oak-wood 'skeleton', the composite tub slightly puffs up between the wooden beams, pushed into this shape naturally through water pressure." - Designer Thomas Linssen

See other side for technical specifications

HOUSE OF THOL
we make things

Thomas Linssen
& Jana Flohr

www.houseofthol.nl
www.shophouseofthol.nl
home@houseofthol.nl

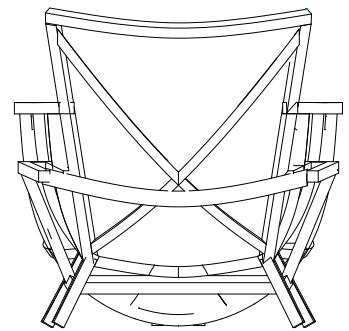
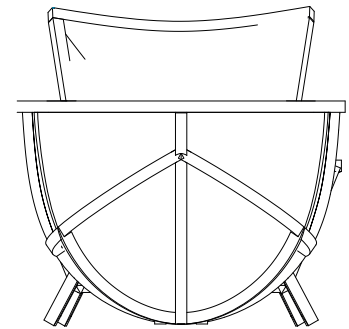
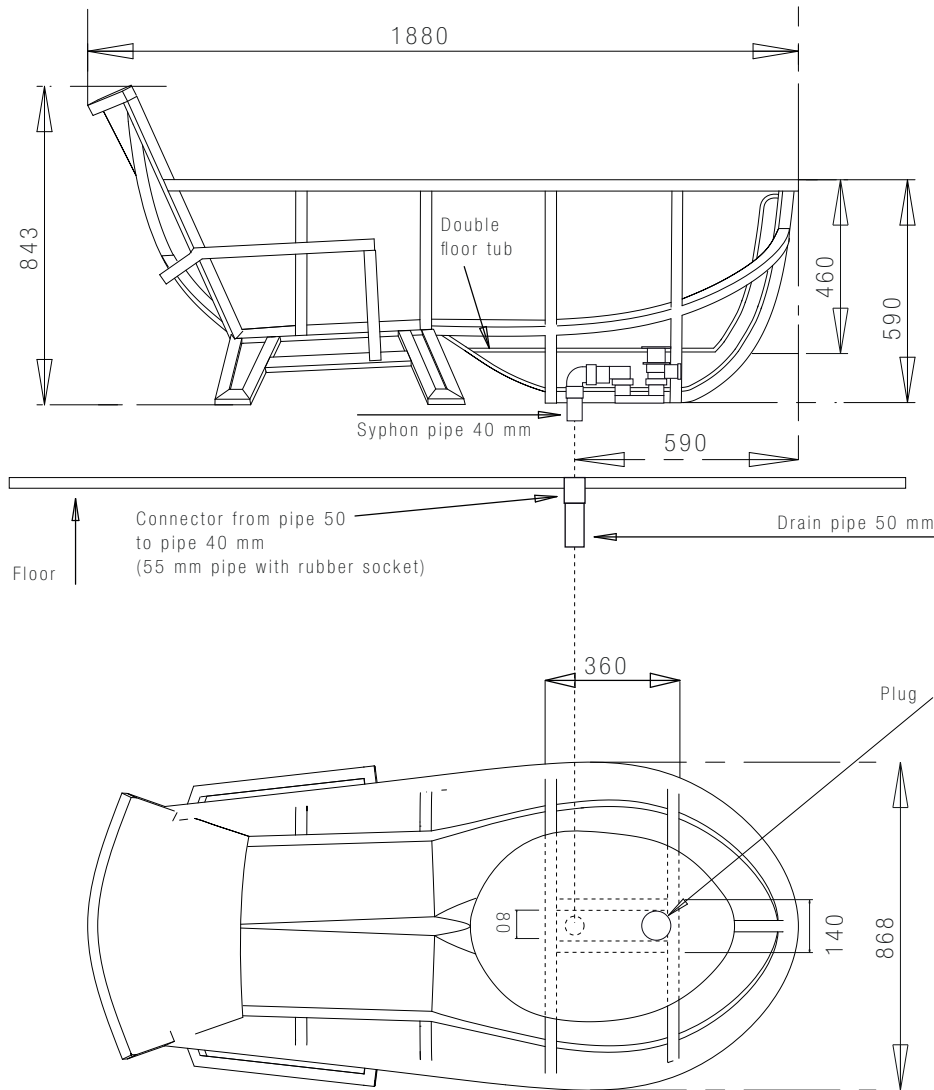


EVOLUTION

luxurious ergonomic bathtub

€ 11.000,- ex vat | MADE TO ORDER

MATERIALS American white oak, marble composite
SIZE 188 x 87 x 84 cm (rim at 59 cm)
CAPACITY ca 260 liters / 95 gallons



INSTALLATION OF THE BATHTUB

A Siphon will be supplied with the bathtub.

In preparation of the installation, a drain pipe of 50 mm (standard size) should be present.

Reserve a spacing of at least 10mm around the drain for the connector pipe.

Please note: since only a small part of the floor (360 mm x 140 mm) will be covered by the bathtub, it's important the placement of the drain pipe is done very accurately.

Each bathtub is carefully handmade in our studio and takes approximately 2 months to finish.

After a thorough quality-control, each bathtub receives a unique numbered plaque.

We'll be happy to assist with the installation of the tub on site.

Please get in touch if you have any questions or remarks.